

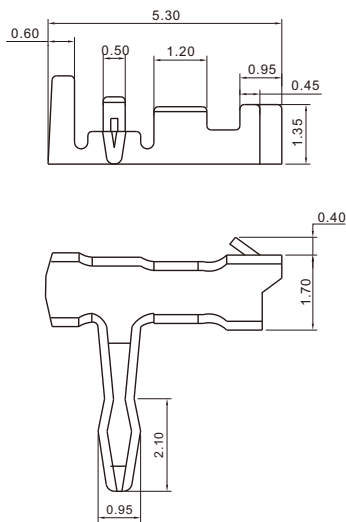
规格SPECIFICATIONS

间距(PITCH): 2.0mm
 极数(Poles): 2~16
 适用电线范围(Useable wire range): AWG30#~24#
 适用印制板厚度(Applicable PC board thickness): 1.2~1.6mm
 额定电流(Current rating): 2A, AC, DC
 额定电压(Voltage rating): 250V, AC, DC
 工作温度(Working Temperature): -25℃ ~ +85℃
 耐压值(Withstand voltage): 800V,AC /min
 接触电阻(Contact resistance): $\leq 0.01\Omega$
 绝缘电阻(Insulation resistance): $\geq 1000m\Omega$

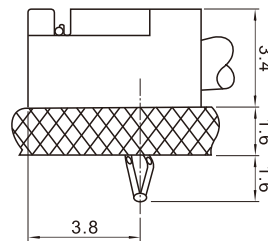
材料MATERIAL

孔座(HOUSING): 尼龙66 UL94V-0 (NYLON66 UL94V-0)
 端子(TERMINAL): 磷青铜(PHOSPHOR BRONZE)

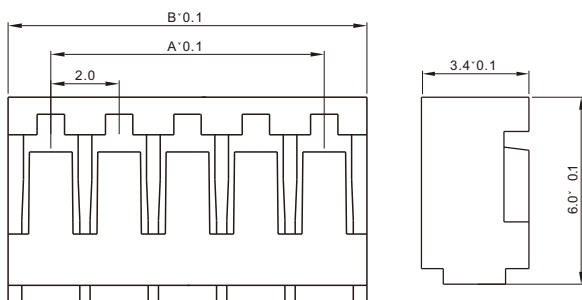
JC20-T



**装配图
ASSEMBLY DIAGRAM**



JC20-P



线数 poles	型号(Type)	A	B
2	JC20-2P	2.00	4.50
3	JC20-3P	4.00	6.50
4	JC20-4P	6.00	8.50
5	JC20-5P	8.00	10.50
6	JC20-6P	10.00	12.50
7	JC20-7P	12.00	14.50
8	JC20-8P	14.00	16.50
9	JC20-9P	16.00	18.50
10	JC20-10P	18.00	20.50
11	JC20-11P	20.00	22.50
12	JC20-12P	22.00	24.50
13	JC20-13P	24.00	26.50
14	JC20-14P	26.00	28.50
15	JC20-15P	28.00	30.50
16	JC20-16P	30.00	32.50