

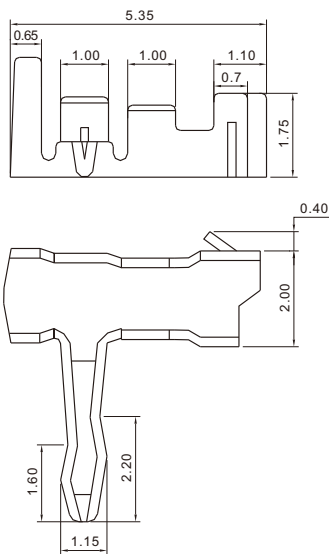
**规格SPECIFICATIONS**

间距(PITCH): 2.5mm  
 极数(Poles): 2~15  
 适用电线(Applicable wire): AWG28#~22#  
 适用印制板厚度(Applicable PC board thickness): 1.2~1.6mm  
 额定电流(Current rating): 2A, AC, DC  
 额定电压(Voltage rating): 250V, AC, DC  
 工作温度(Working Temperature): -25℃ ~ +85℃  
 耐压值(Withstand voltage): 1000V/min  
 接触电阻(Contact resistance):  $\leq 0.01\Omega$   
 绝缘电阻(Insulation resistance):  $\geq 1000m\Omega$

**材料MATERIAL**

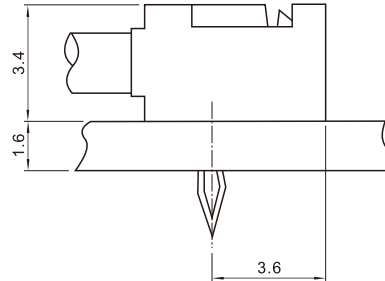
孔座(HOUSING): 尼龙66 UL94V-0(NYLON66 UL94V-0)  
 端子(TERMINAL): 磷青铜(PHOSPHOR BRONZE)

**JC25-T**

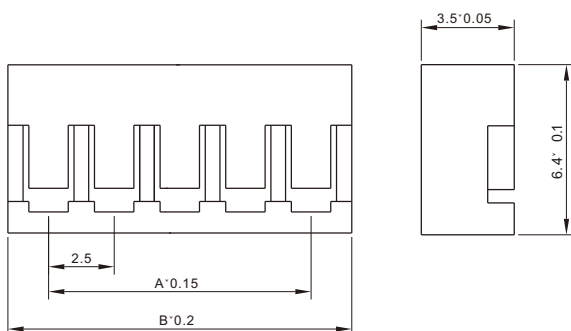


**装配图**

**ASSEMBLY DIAGRAM**



**JC25-P**



线数 poles	型号(Type)	A	B
2	JC25-2P	2.50	5.60
3	JC25-3P	5.00	8.10
4	JC25-4P	7.50	10.60
5	JC25-5P	10.00	13.10
6	JC25-6P	12.50	15.60
7	JC25-7P	15.00	18.10
8	JC25-8P	17.50	20.60
9	JC25-9P	20.00	23.10
10	JC25-10P	22.50	25.60
11	JC25-11P	25.00	28.10
12	JC25-12P	27.50	30.60
13	JC25-13P	30.00	33.10
14	JC25-14P	32.50	35.60
15	JC25-15P	35.00	38.10